

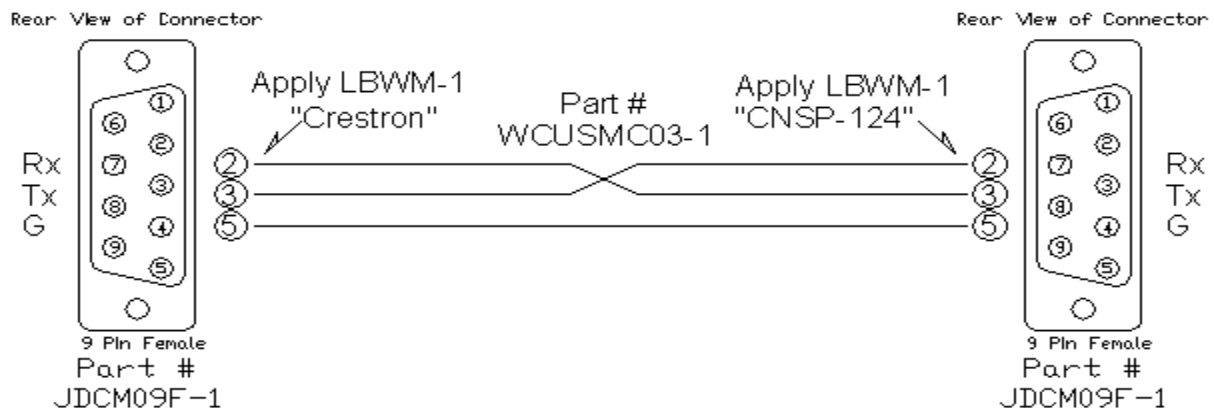
Partner: LG
Model: 55WS50BS
Device Type: LCD Display



GENERAL INFORMATION

SIMPLWINDOWS NAME:	LG 55WS50BS v1.0
CATEGORY:	TV/Video Projector
VERSION:	1.0
SUMMARY:	Controls power, source selection, aspect ratio, and picture controls.
GENERAL NOTES:	This module provides control and true feedback for the LG 55WS50BS display.
CRESTRON HARDWARE REQUIRED:	2-Series Processor, 3-Series Processor, C2COM3, C3COM3
SETUP OF CRESTRON HARDWARE:	RS232 Baud: 9600 Parity: None Data Bits: 8 Stop Bits: 1
VENDOR FIRMWARE:	v03.01.01
VENDOR SETUP:	None
CABLE DIAGRAM:	CNSP-124

CNSP-124



Partner: LG
Model: 55WS50BS
Device Type: LCD Display


CONTROL:

Power_On	D	Pulse to turn the display on.
Power_Off	D	Pulse to turn the display off.
Power	D	Pulse to toggle display power.
Input_*	D	Pulse to select the input.
Aspect_Ratio_*	D	Pulse to select the aspect ratio.
Picture_Mode_*	D	Pulse to select the picture mode.
OSD_On	D	Pulse to turn OSD on.
OSD_Off	D	Pulse to turn OSD off.
Contrast_Up/Down	D	Press to adjust contrast.
Brightness_Up/Down	D	Press to adjust brightness.
Color_Up/Down	D	Press to adjust color.
Sharpness_Up/Down	D	Press to adjust sharpness.
Volume_Up/Down	D	Press to adjust volume.
Volume_Mute_On	D	Pulse to turn volume mute on.
Volume_Mute_Off	D	Pulse to turn volume mute off.
Volume_Mute	D	Pulse to toggle between volume mute on and off.
Color_Temperature_Warm/Cool	D	Press to adjust color temperature.
Poll_Enable	D	Latch high to enable polling.
From_Device	S	Serial data signal to be routed from a 2 way com port.

Partner: LG
Model: 55WS50BS
Device Type: LCD Display



FEEDBACK:

Power_On_Fb	D	High to indicate power on status.
Power_Off_Fb	D	High to indicate power off status.
Input_*_Fb	D	High to indicate the current input.
Aspect_Ratio_*_Fb	D	High to indicate the current aspect ratio.
Picture_Mode_*_Fb	D	High to indicate the current picture mode.
OSD_On_Fb	D	High to indicate OSD on status.
OSD_Off_Fb	D	High to indicate OSD off status.
Contrast_Bar	A	Shows the relative contrast level. Can be routed to a bargraph on a touch panel.
Brightness_Bar	A	Shows the relative brightness level. Can be routed to a bargraph on a touch panel.
Color_Bar	A	Shows the relative color level. Can be routed to a bargraph on a touch panel.
Sharpness_Bar	A	Shows the relative sharpness level. Can be routed to a bargraph on a touch panel.
Volume_Bar	A	Analog value indicating the current volume level. To be displayed using a bar graph on a touch panel.
Volume_Mute_On_Fb	D	High to indicate volume mute is on.
Volume_Mute_Off_Fb	D	High to indicate volume mute is off.
Color_Temp_Bar	A	Shows the relative color temperature level. Can be routed to a bargraph on a touch panel.
To_Device	S	Serial data signal to be routed to a 2 way com port.

Partner: LG
Model: 55WS50BS
Device Type: LCD Display

**TESTING:**

OPS USED FOR TESTING:	3 Series - 1.008.0032 2 Series - 4.007.0004
SIMPL WINDOWS USED FOR TESTING:	4.02.20
CRES DB USED FOR TESTING:	41.05.005.00
SYMBOL LIBRARY USED FOR TESTING:	472
SAMPLE PROGRAM:	LG 55WS50BS v1.0 Demo CP3 LG 55WS50BS v1.0 Demo PRO2
REVISION HISTORY:	v1.0